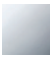






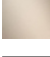


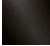


36 805 661



- 160mm projection
- fixed spout
- circular, air-enriched flow
- hole diameter 60 mm
- rosette Ø 78 mm
- max. spout flow rate 5.7 l/min
- lead-free
- with single-point mounting

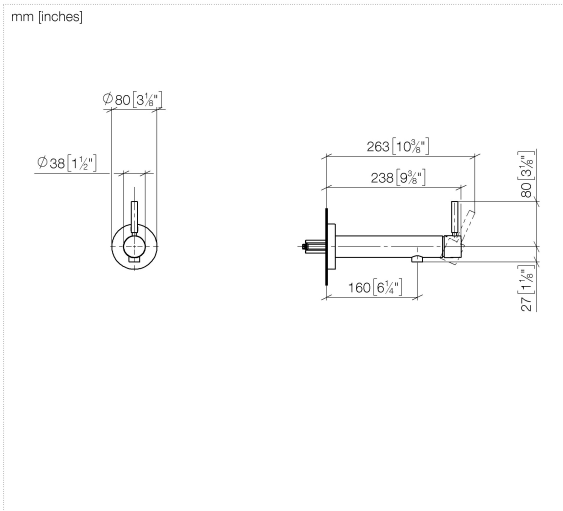
| | | |
|---|-------------------------------|---------------|
|  | Chrome | 36 805 661-00 |
|  | Brushed Platinum | 36 805 661-06 |
|  | Dark Chrome | 36 805 661-19 |
|  | Light Gold | 36 805 661-26 |
|  | Brushed Light Gold | 36 805 661-27 |
|  | Matte Black | 36 805 661-33 |
|  | Brushed Bronze | 36 805 661-42 |
|  | Brushed Champagne (22kt Gold) | 36 805 661-46 |
|  | Champagne (22kt Gold) | 36 805 661-47 |
|  | Brushed Chrome | 36 805 661-93 |
|  | Brushed Dark Platinum | 36 805 661-99 |

Required miscellaneous

- Concealed wall mounting -** 35 050 970 90
- min. recess depth 80 mm
 - max. recess depth 105 mm



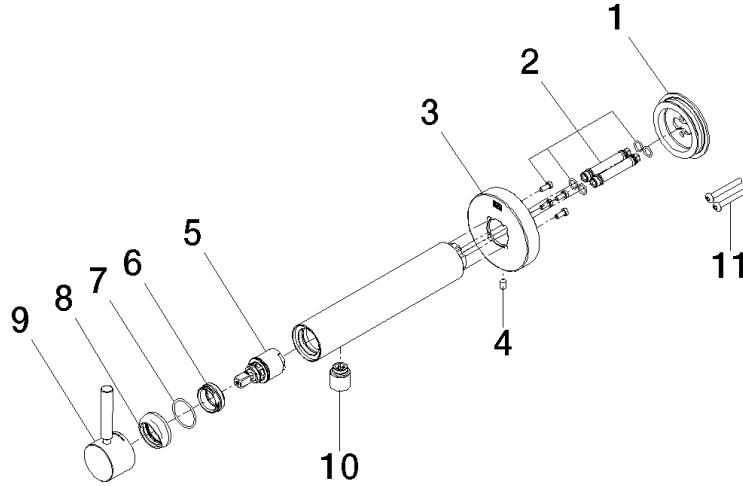
36 805 661



Flow rate chart



36 805 661



Spare parts list

| No. | Item Number | Name | Quantity used | Delivery time |
|-----|--------------------|------------|---------------|---------------|
| 1 | 90 30 11 232 00 90 | disc | 1 | 10 |
| 2 | 90 24 01 046 01 90 | connection | 2 | 10 |
| 3 | 90 27 66 026 00-00 | rosette | 1 | 10 |
| 4 | 09 31 11 144 90 | pin | 1 | 2 |
| 5 | 90 15 05 044 00 90 | cartridge | 1 | 2 |
| 6 | 09 24 04 266 90 | nut | 1 | 2 |
| 7 | 09 14 10 120 90 | seal | 1 | 2 |
| 8 | 09 28 30 043-00 | cover | 1 | 10 |
| 9 | 90 20 66 024 00-00 | handle | 1 | 10 |
| 10 | 90 23 01 168 00-00 | aerator | 1 | 10 |
| 11 | 90 30 30 229 00 90 | screw | 2 | 10 |